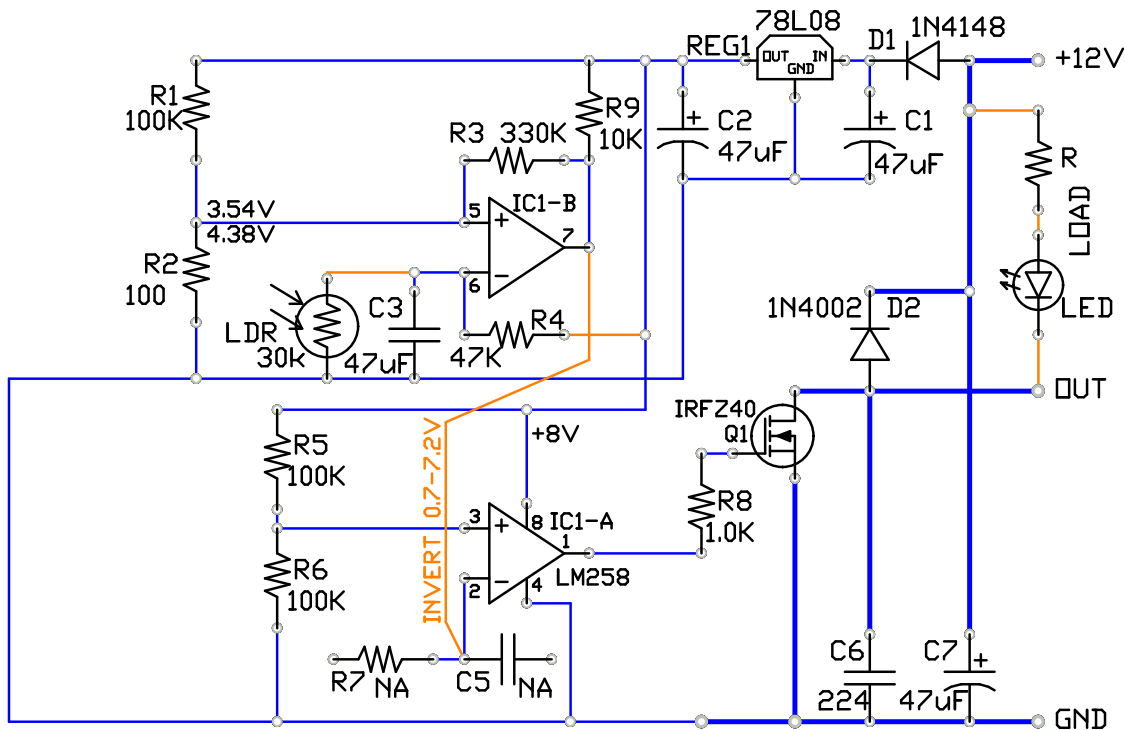
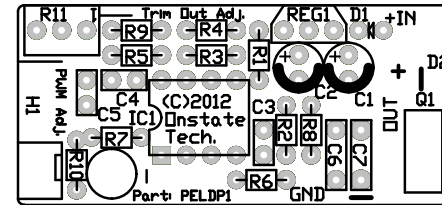


ON/OFF Photocell circuit



Legend Labels



PWM LED Dimmer
Part: PELDP1 (C)2016

Day/Night PC light sensor

All *-ND are Digi-Key part codes (Digi-key.com)

All resistors: 1/8W, 5%

(value)EBK-ND, eg. 47KEBK-ND (47K)

LDR: 30k, 5mm

Trimmer resistors (VR), Cermet, PC pins

R4 for PC adj, 100k, 3362U-<VALUE>LF, inline,

D1: 1N4148, general Si diode, 0.2A

REG1: 78L08, 8V reg, 0.1A

D2: 1N4002, diode, 1A (optional)

Caps C: mono cer. 104=0.1uF, 103=0.01uF, 105=1.0uF

C1, C2, C7: power filter, any type >1.0uF

H1: trimmer resistor or potentiometer

IC1: LM258N dual op-amp, 8-DIP

AMP-A=Q1 output, AMP-B=PC circuit